



PT. BERKAH TEHNIK JAYA

COMPANY PROFILE

THE BEST SOLUTION AND PARTNERS



DAFTAR ISI

PENDAHULUAN
STRUKTUR ORGANISASI
LEGALITAS
CUSTOMER
PRODUK - PRODUK

PT. BERKAH TEHNIK JAYA

Pendahuluan

Berdiri sejak Maret 2022 di Bekasi, PT. Berkah Teknik Jaya di dirikan di Bekasi pada tanggal 22 Maret 2022, di hadapan notaris Shintawaty Meirindrasari, S.H, M.Kn. Pendirian perusahaan dimaksudkan untuk menjalankan usaha - usaha dibidang jasa pelayanan konsultan, perdagangan serta memproduksi pakaian jadi / garment dan kelengkapannya. Pakaian khususnya seragam berbagai instansi pemerintah seperti TNI, POLRI, hotel, rumah sakit, bank, sekolah.

VISI

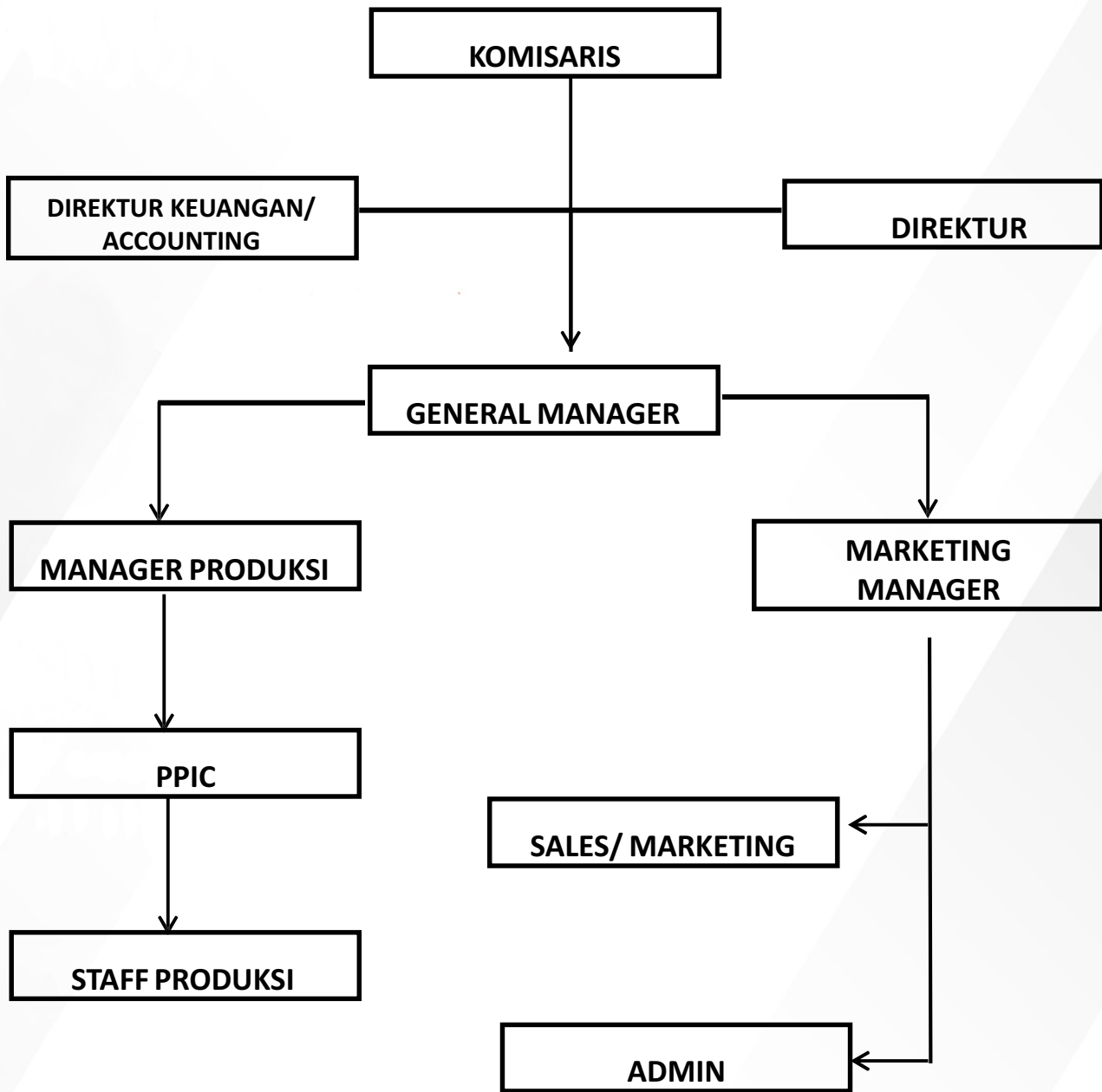
"Menjadi Perusahaan yang Terbaik dan Tangguh"

MISI

1. Memberikan pelayanan dan produksi yang terbaik
2. Melakukan produksi barang - barang yang mendukung perdagangan
3. Senantiasa melakukan pengembangan produk
4. Menjalin kemitraan dengan layanan yang terintegrasi
5. Meningkatkan kesejahteraan pegawai melalui produktivitas.

PT. BERKAH TEHNIK JAYA

STRUKTUR ORGANISASI



LEGALITAS PERUSAHAAN

- 1. Akta Pendirian Perusahaan**
No. 05 tanggal 22 Maret 2022
Pengesahan Kemenkumham
No. AHU-0020467.AH.01.01.TAHUN 2022
- 2. Akta Perubahan**
No. 12 tanggal 22 April 2022
Pengesahan Kemenkumham
No. AHU-0030217.AH.01.02.TAHUN 2022
- 3. Surat Keterangan Terdaftar Pajak (SKT)**
No. S-4716KT/WPJ.33/KP.0203/2022
- 4. Surat Pengukuhan Pengusaha Kena Pajak (SPPKP)**
No. S-141PKP/WPJ.33/KP.0203/2022
- 5. Nomor Pokok Wajib Pajak (NPWP)**
No. 63.829.814.1-427.000
- 6. Nomor Induk Berusaha (NIB)**
No. 2503220003892
- 7. Surat Pernyataan Kesanggupan (Domisili)**
No. 503/82.KCBB

PT. BERKAH TEHNIK JAYA

CUSTOMER

- 1. PT. KERETA API INDONESIA**
- 2. PT. KA PROPERTI MANAJEMEN**
- 3. PT. INDOTRUCK UTAMA**
- 4. PT. KALIRAYA SARI**
- 5. PT. SINAR CEMERLANG INDOJAYA**
- 6. PT. GARUDA MAS PUTERA ESA**
- 7. PT. ODIRA TEKNIKA INDONESIA**
- 8. PT. SIMOJOYO PUTRA**
- 9. BPBD KOTA BOGOR**
- 10. PT. JASAMARGA TOLLROAD MAINTENANCE**
- 11. PT. PRIMA INDAH MULTIGUNA**
- 12. PT. ANGKASA PURA II**
- 13. PT. CHAKRA JAWARA**
- 14. PUSBKMAT TNI AU**
- 15. PT. MAXINDO DAYA WIGUNA**

PT. BERKAH TEHNIK JAYA

PORTABLE FIRE PUMP

PUMP MODEL - PERFORMANCE RANGE PORTABLE FIRE PUMP

GASOLINE



JBQ6.0/8.5-H

Engine

Four-stroke, air-cooled gasoline engine
Displacement: 389cc, HONDA GX390

Output Power

13PS(9.6kW)

Pump performance

270 L/min @ 0.8 MPa
510 L/min @ 0.6 MPa
720 L/min @ 0.4 MPa

Whole set weight

54kg

Dimensions

575x560x515(mm)



JBQ10/8.6-H

Engine

Four-stroke, air-cooled gasoline engine
Displacement: 688cc, HONDA GX690

Output Power

27PS(20kW)

Pump performance

520 L/min @ 1.00 MPa
700 L/min @ 0.80 MPa
1000 L/min @ 0.60 MPa

Whole set weight

98kg

Dimensions

780x600x650(mm)



JBQ6.0/14.5-H

Engine

Four-stroke, air-cooled gasoline engine
Displacement: 688cc, HONDA GX690

Output Power

27PS(20kW)

Pump performance

960 L/min @ 0.60 MPa
1180 L/min @ 0.40 MPa
1500 L/min @ 0.20 MPa

Whole set weight

85kg

Dimensions

690x600x630(mm)

PORTABLE FIRE PUMP

PUMP MODEL - PERFORMANCE RANGE
PORTABLE FIRE PUMP

DIESEL



Diesel Model
JBC5.2/8-W

Engine

Four-stroke, air-cooled diesel engine
Displacement: 420cc, 188FB

Output Power
13PS(9.6kW)

Pump performance
300 L/min @ 0.60 MPa
480 L/min @ 0.52MPa
1000 L/min @ 0.30 MPa

Whole set weight
68kg

Dimensions
590x560x570(mm)



Diesel Model
BJ22B-W

Engine

Four-stroke, air-cooled diesel engine
Displacement: 870cc, W5POWER W5R2V870

Output Power
25PS(18.4kW)

Pump performance
550 L/min @ 0.70 MPa
1100 L/min @ 0.50MPa
1500 L/min @ 0.30 MPa

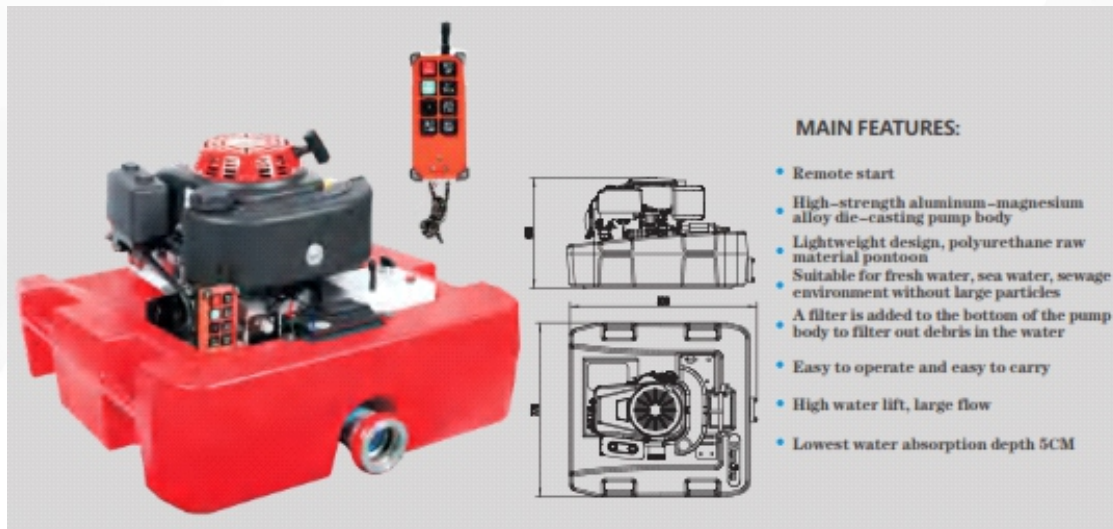
Whole set weight
105kg

Dimensions
680x600x735(mm)

FLOATING PUMP / POMPA APUNG

**TAHAN TERHADAP
AIR ASIN / AIR PAYAU
BERGARANSI ... !**

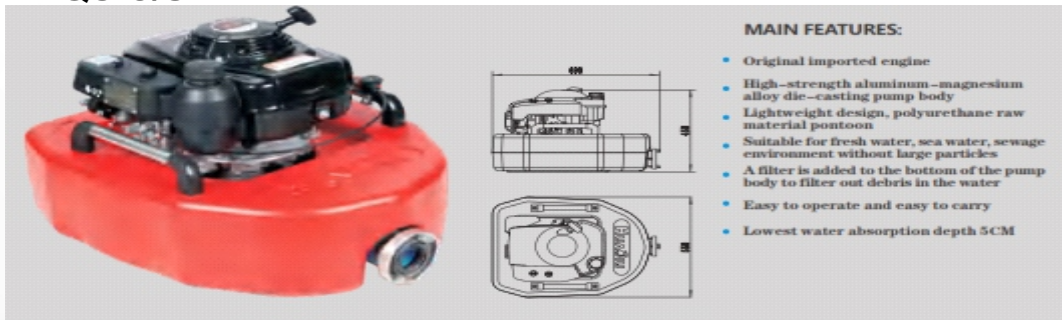
FTQ4.0/14.5



Model	4 Strokes	Pump Specification	Single suction with single stage centrifugal pump
Cylinders	Single Cylinder	Inlet Diameter	3" (80mm)
Max. Output	15HP(11kW)	Outlet Diameter	2.5" (65mm)
Fuel Type	Gasoline 92# and above	Number of outlets	1
Tank Capacity	4L	Outlet valve type	
Fuel System	Solenoid valve - carburetor	Water diversion method	Auto water diversion
Engine oil capacity	0.9L	Max. suction depth	5m
Starter	Hand/Electric/Remote start	Max. Flow	1500L/min
Ignition method	Transistor electronic ignition	Max. Water Lift	60m
Fuel consumption	3.5L/h	Rated Flow	870L/min
Whole set weight	55kg	Rated Pressure	0.4Mpa

FLOATING PUMP / POMPA APUNG

FTQ3.0/8

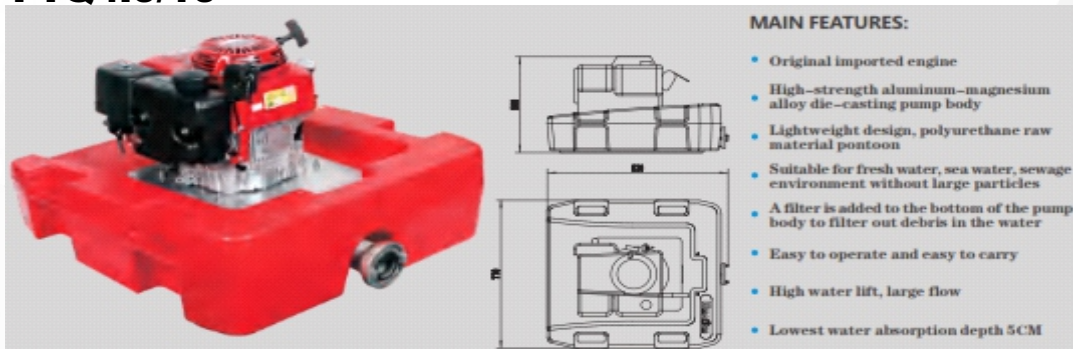


MAIN FEATURES:

- Original imported engine
- High-strength aluminum-magnesium alloy die-casting pump body
- Lightweight design, polyurethane raw material pontoon
- Suitable for fresh water, sea water, sewage environment without large particles
- A filter is added to the bottom of the pump body to filter out debris in the water
- Easy to operate and easy to carry
- Lowest water absorption depth 5CM

Model	4 Strokes	Pump Specification	Single suction with single stage centrifugal pump
Cylinders	Single Cylinder	Inlet Diameter	2.5" (65mm)
Max. Output	5.5HP(4KW)	Outlet Diameter	2.5"(65mm)
Fuel Type	Gasoline 92# and above	Number of outlets	1
Tank Capacity	2.5L	Outlet valve type	British pipe thread
Fuel System	Solenoid valve - carburetor	Water diversion method	Auto water diversion
Engine oil capacity	0.6L	Max. suction depth	5m
Starter	Manual	Max. Flow	1000L/min
Ignition method	Transistor electronic ignition	Max. Water Lift	45m
Fuel consumption	1.5L/h	Rated Flow	480L/min
Whole set weight	24kg	Rated Pressure	0.3Mpa

FTQ4.0/10

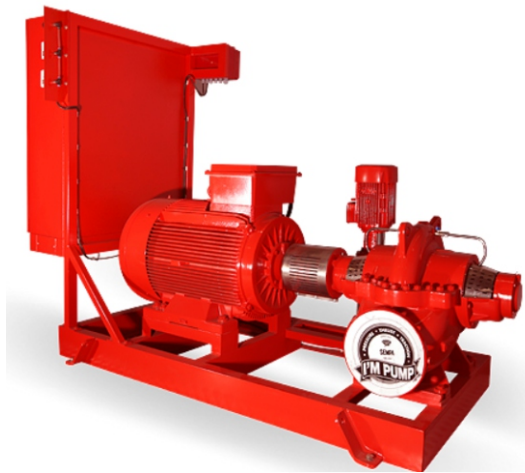


MAIN FEATURES:

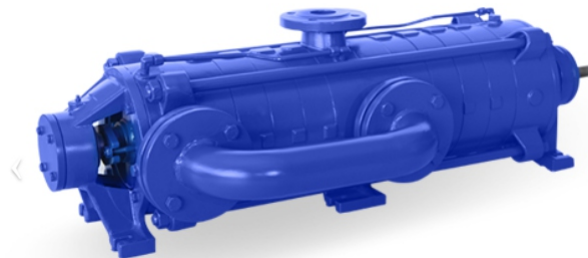
- Original imported engine
- High-strength aluminum-magnesium alloy die-casting pump body
- Lightweight design, polyurethane raw material pontoon
- Suitable for fresh water, sea water, sewage environment without large particles
- A filter is added to the bottom of the pump body to filter out debris in the water
- Easy to operate and easy to carry
- High water lift, large flow
- Lowest water absorption depth 5CM

Model	4 Strokes	Pump Specification	Single suction with single stage centrifugal pump
Cylinders	Single Cylinder	Inlet Diameter	3" (80mm)
Max. Output	11HP(8.2kW)	Outlet Diameter	2.5"(65mm)
Fuel Type	Gasoline 92# and above	Number of outlets	1
Tank Capacity	4L	Outlet valve type	British pipe thread
Fuel System	Solenoid valve - carburetor	Water diversion method	Auto water diversion
Engine oil capacity	1.8L	Max. suction depth	5m
Starter	Manual	Max. Flow	1200L/min
Ignition method	Transistor electronic ignition	Max. Water Lift	60m
Fuel consumption	3.5L/h	Rated Flow	600L/min
Whole set weight	47.5kg	Rated Pressure	0.4Mpa

PRODUK POMPA



Sempa Pump



Battioni Pump



PT. BERKAH TEHNIK JAYA

PRODUK RAILWAY

Products – railway application

MOOG



MBL 1200 Road/Rail



MBL 1450 Road/Rail



MBL 1200 Road/Rail

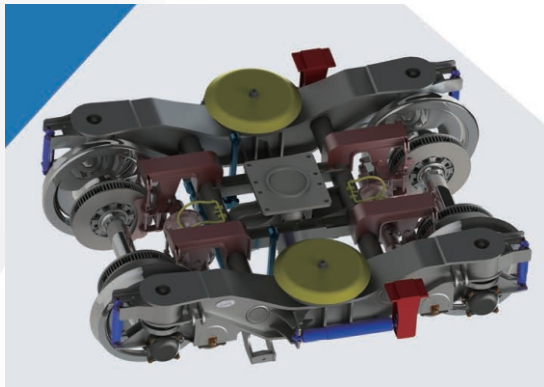
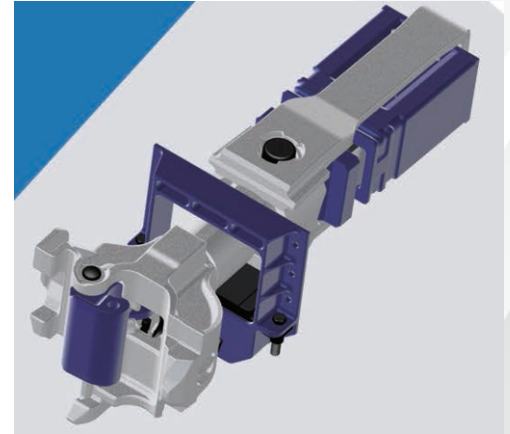


MBL 1200 Road/Rail



PT. BERKAH TEHNIK JAYA

RAILWAY COMPONENT



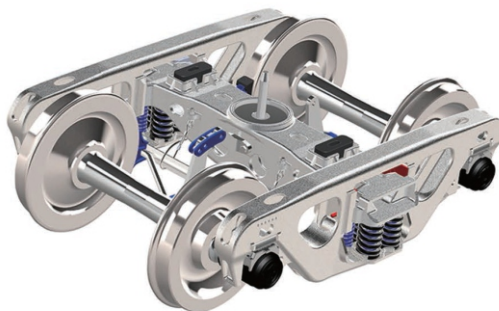
> Frame structure



> Teather fabric



> Textile fabric



> Solution 1



> Solution 2



> Solution 3



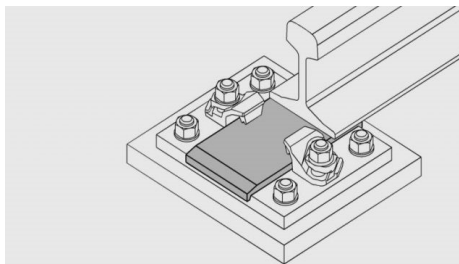
> Solution 4



> Solution 5

PT. BERKAH TEHNIK JAYA

RAILWAY COMPONENT



PT. BERKAH TEHNIK JAYA

PRODUK LAPIS BAJA



PT. BERKAH TEHNIK JAYA

PRODUK CRANE



KT90.23



ROADABLE CRANES
LIBERA CIRCOLAZIONE
FREI STRASSENVERKEHR
LIBRE CIRCULATION



PT. BERKAH TEHNIK JAYA

PRODUK CRANE



PT. BERKAH TEHNIK JAYA

PRODUK AREAL PLATFORM



PT. BERKAH TEHNIK JAYA

PRODUK COMBILIFT



4 Load weighing Pins



In-Cab Ruggedised Tablet



Interface Module



PT. BERKAH TEHNIK JAYA

PRODUK KENDARAAN KHUSUS



PT. BERKAH TEHNIK JAYA

INCINERATOR



Our products are specifically designed with clean air incineration at the forefront of our product development for Medical, Animal by product and General Municipal waste streams.

From 10 KG until 1000 KG per Hour made in UK



SKID MOUNTED

MOBILE INCINERATORS

EASILY RELOCATE YOUR INCINERATOR TO WHERE IT'S NEEDED MOST.



CONTAINERISED



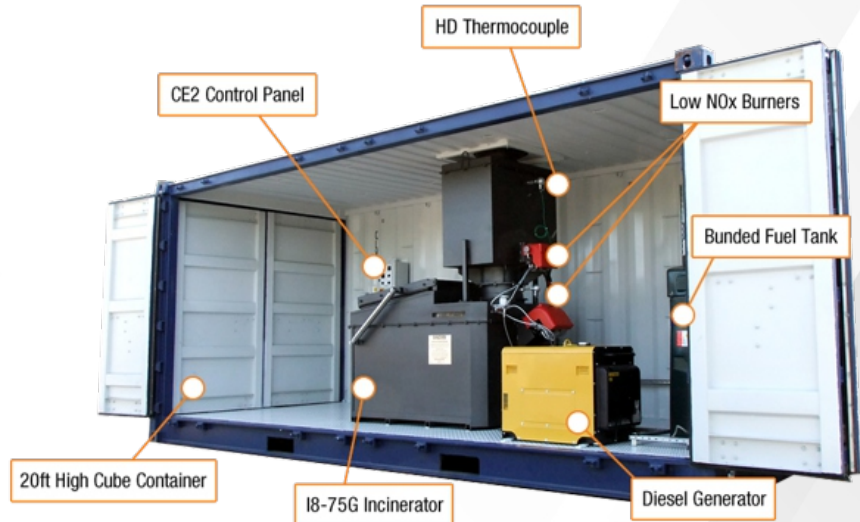
TRAILER MOUNTED



PT. BERKAH TEHNIK JAYA

INCINERATOR

 **INCINER8**



Containerized Incinerators



Mobile Incinerators

PT. BERKAH TEHNIK JAYA

DEMOLITION ROBOT



Demolition Robot



Four-Wheel Drive Demolition & Fire Fighting Robot

INTELLIGENT EQUIPMENT



Mobile Crusher



Mobile Vibrating Screen



Mobile Cone Crusher



Wheeled Crusher



Mobile Hammer Crusher

PT. BERKAH TEHNIK JAYA

BUCKET



Mine Bucket



Skeleton Bucket



Rock Bucket



Front Bucket



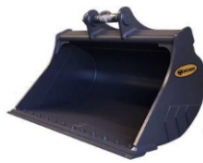
BKM Crusher Bucket



Slope Bucket



Tilt Bucket



Mud Bucket



Trenching Bucket



Crusher Bucket



Loader Bucket



Loader Timber Grapple



Loader Skeleton Bucket



Skid Steer Loader Bucket



WMS Crusher Bucket



Rotary Screening Bucket



Shredder Screening Bucket



Thumb Bucket



Clamshell Bucket



Vibro Slope Bucket

PT. BERKAH TEHNIK JAYA

BOOM & ARM



Long Boom & Arm



Demolition Boom & Arm

Boom



Standard Arm



Strength Boom



Hydraulic Drilling Rigs



Excavator Telescopic Boom



VOITH



PT. BERKAH TEHNIK JAYA

Jl. Kalibaru Barat Kp. Rawa Bebek No.18 RT.001 RW.015

Kel. Kota Baru, Kec. Bekasi Barat - Kota Bekasi 17139

Telp. (021) 89467704

Email. csmarketing.b tj@gmail.com